



Manufactured in France

2 temperatures



Wine serving solution by the glass, free standing or built-in, conservation of opened bottles

## Technical Specifications

**Capacity** 8 preserved bottles  
+ 6 storage bottles

**Functions**

- Electronic regulation from 6 to 18°C/ 43-64°F
- 6°-15°C/43-59°F for white wines
- 12-18°C/54-64°F for red wines
- The bottles are preserved up to 10 days, thanks to an exclusive vacuum system (depending on the wine and its vintage )
- Red or with wine whatever the compartment

**Design**

- 2 full glass doors, with double safety lock
- Interior lighting with multicolour LED
- Both temperature settings from the right compartment
- Black tempered glass top

**Equipment**

- Excess condensation water collected in 2 drawers
- 2 adjustable feet
- 1 remote control for setting light

**Regulation**

- Thermal insulation and U.V. protection
- Frequency detector
- Air extraction fault warning indicators

**Technologies**

- Production of cold air** Ventilated cold air /Compressor
- Production of warm air** Heater
- Heat activation** Automatic
- Leads** CE/US/UK/JA/C6/ CH/CN/AU
- Type of walls** ABS
- Type of external covering** Black metal
- Type of insulation** Polystyrene foam with
- Type of glass** UV protection



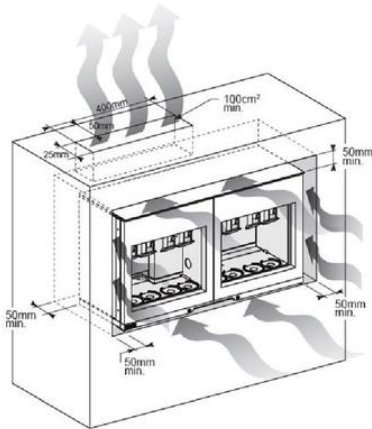
\*Traditional Bordeaux format

## General features

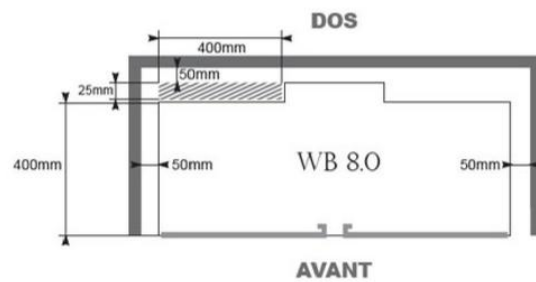
	Full Glass Door
Net Weight (kg)	85
Dimensions unpacked H x W x D (mm)	604 x 1076 x 480
Dimensions packaged H x W x D (mm)	800 x 1200 x 600
Color	Nero- RAL 9005
Electrical Power (at 25°C – 77°F)	75
Ambient temperature operating limits (C°/°F)	10 to 35 (50-95)

## Conditions d'encastrement (précautions à respecter)

Front view



Top view



Wine Bar 8, in few words...

**The solution that enhances the service of wine by the glass or bottle.**

Wine Bar 8.0 contributes to the quality of service in the tradition of the greatest sommeliers. It keeps 8 bottles open without altering their organoleptic qualities. Optimize your wine by the glass sales.

